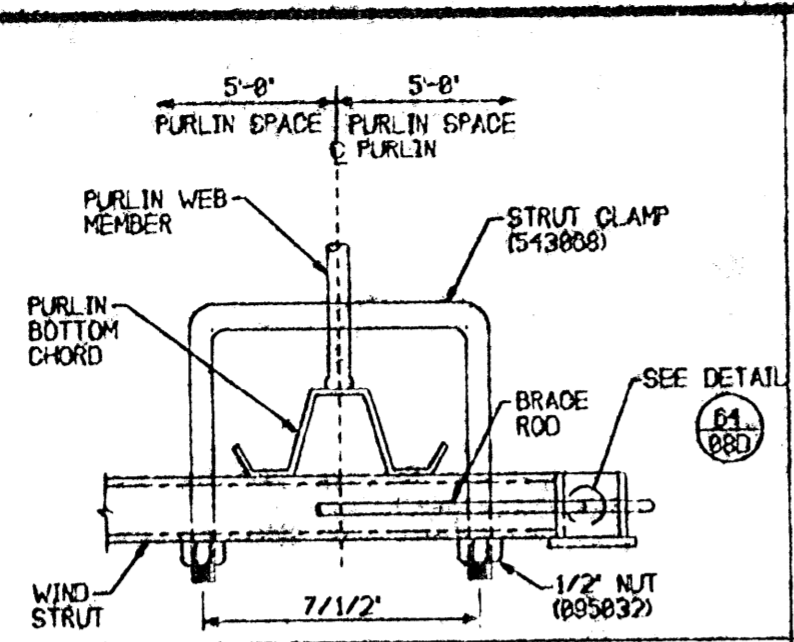
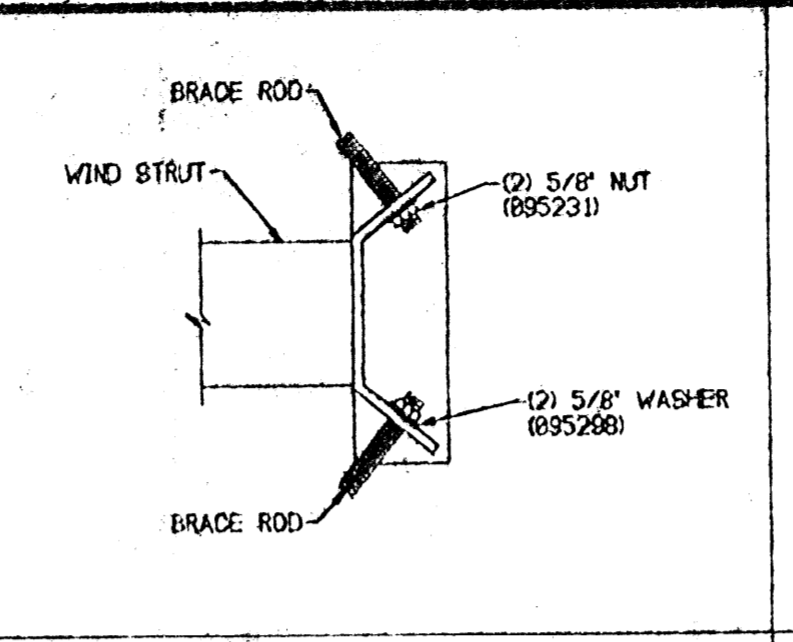


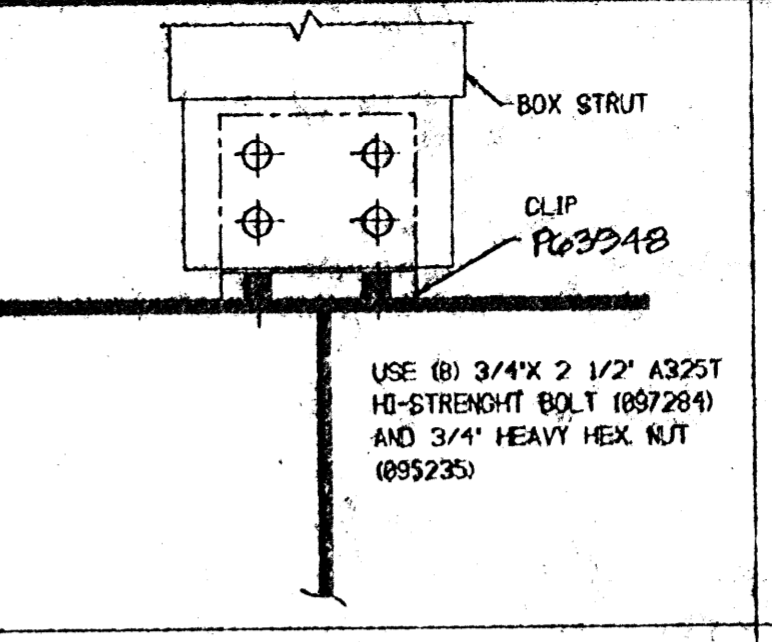
DETAIL 62



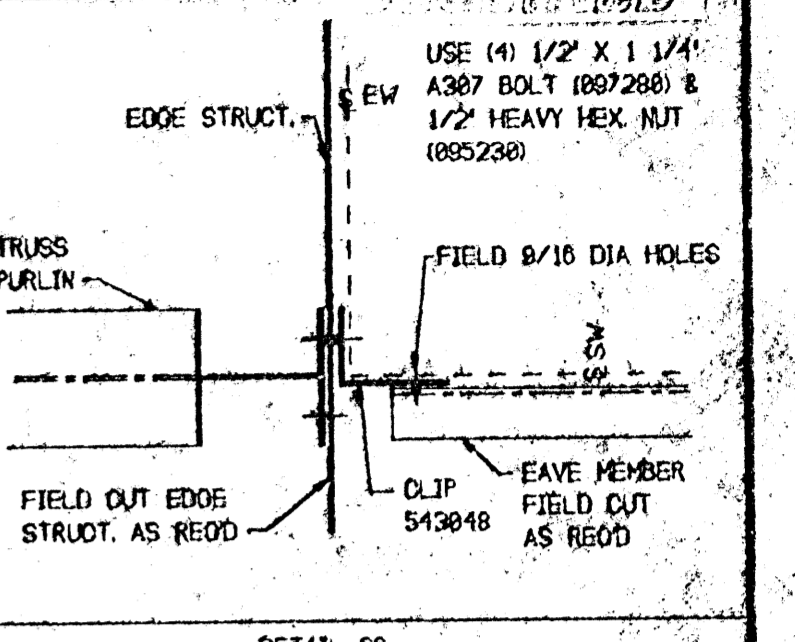
DETAIL 63



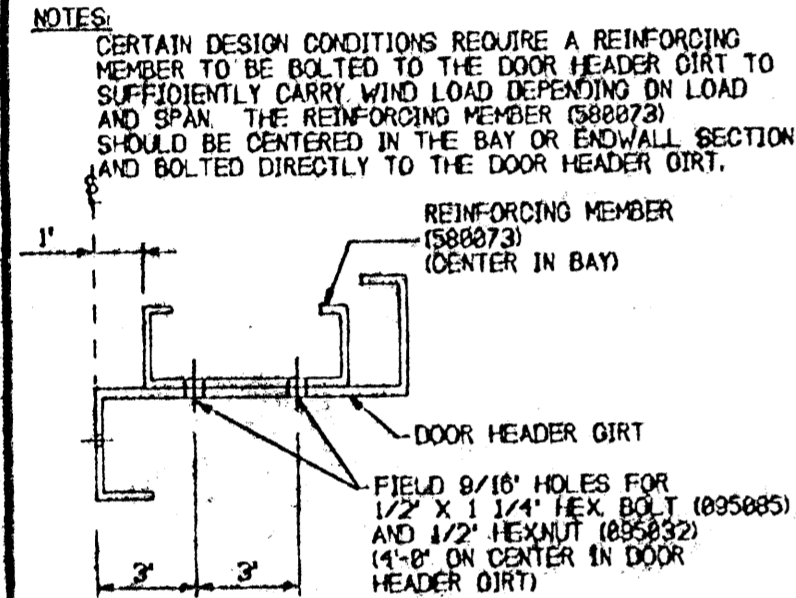
DETAIL 64



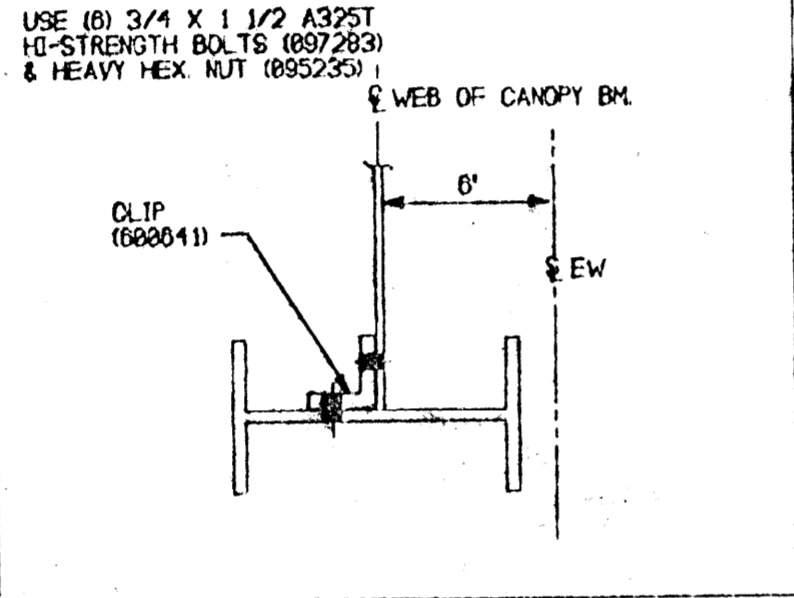
DETAIL 65



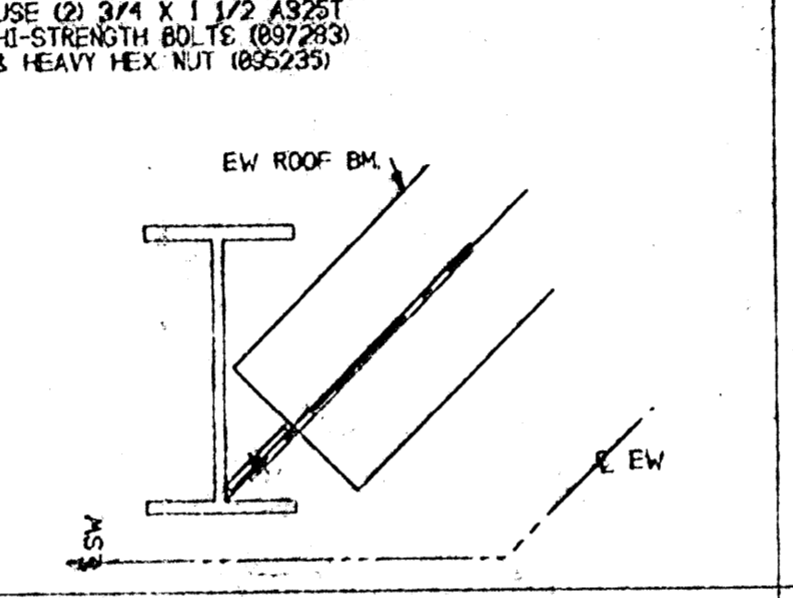
DETAIL 66



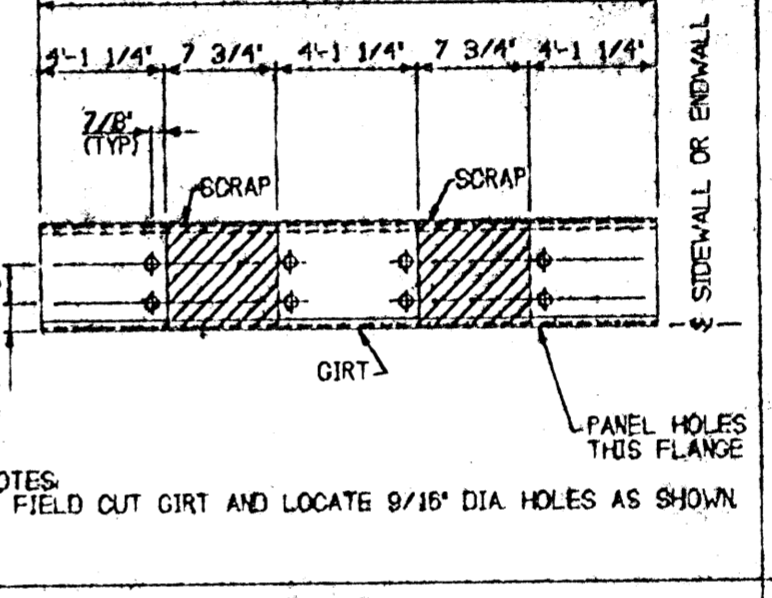
DETAIL 67



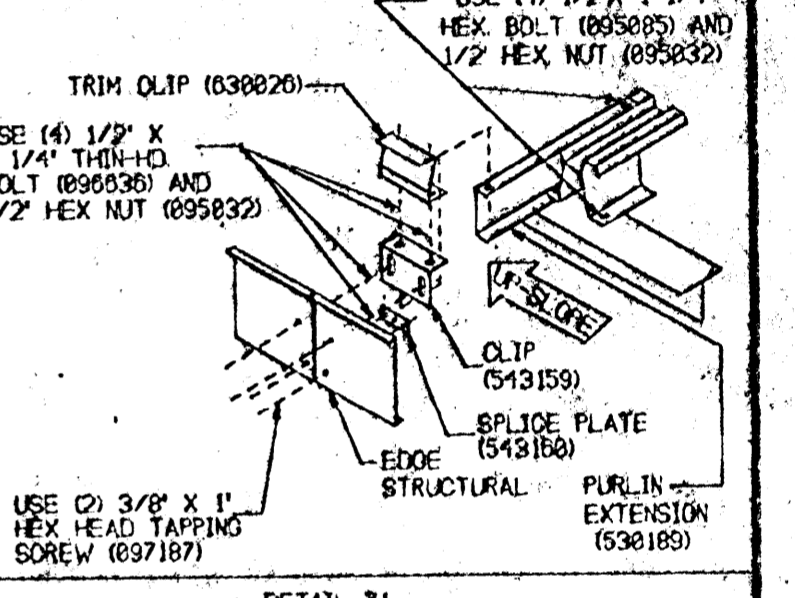
DETAIL 68



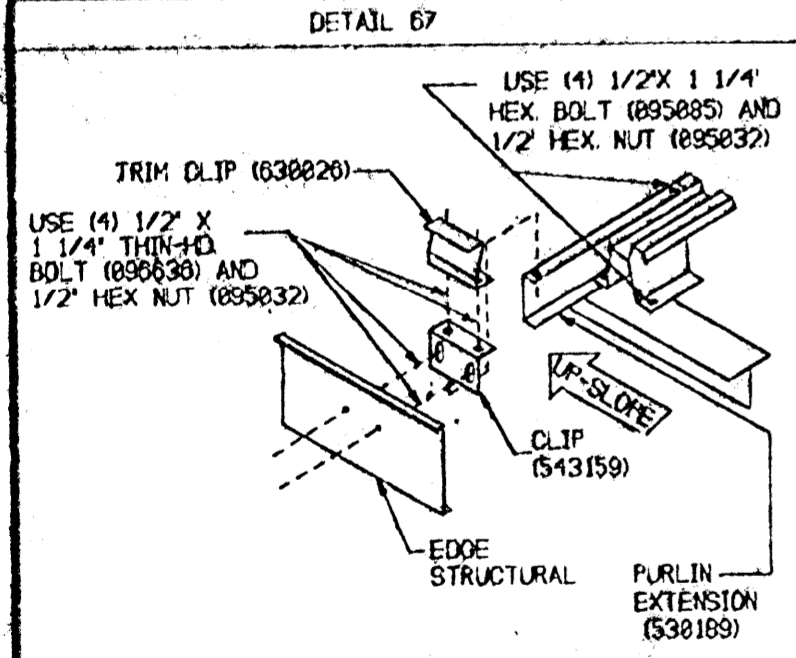
DETAIL 69



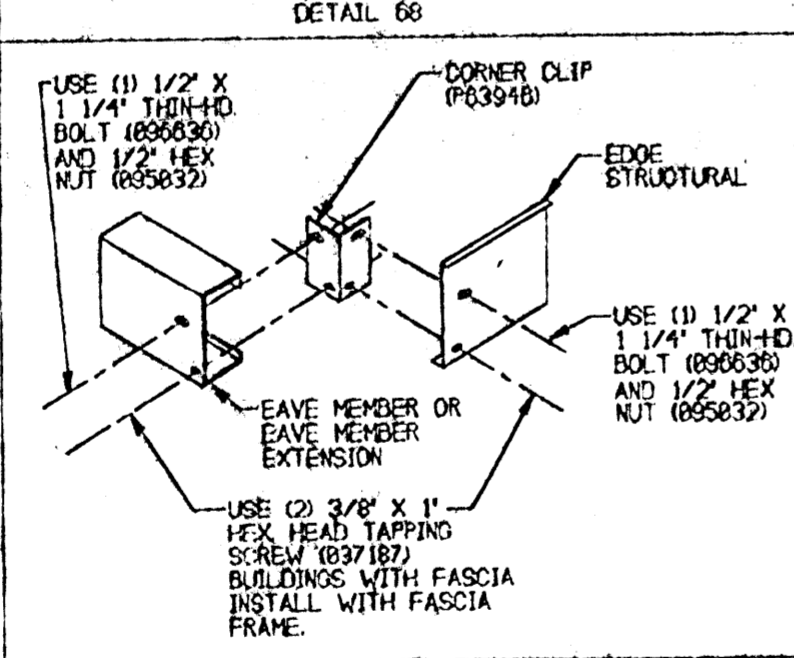
DETAIL 70



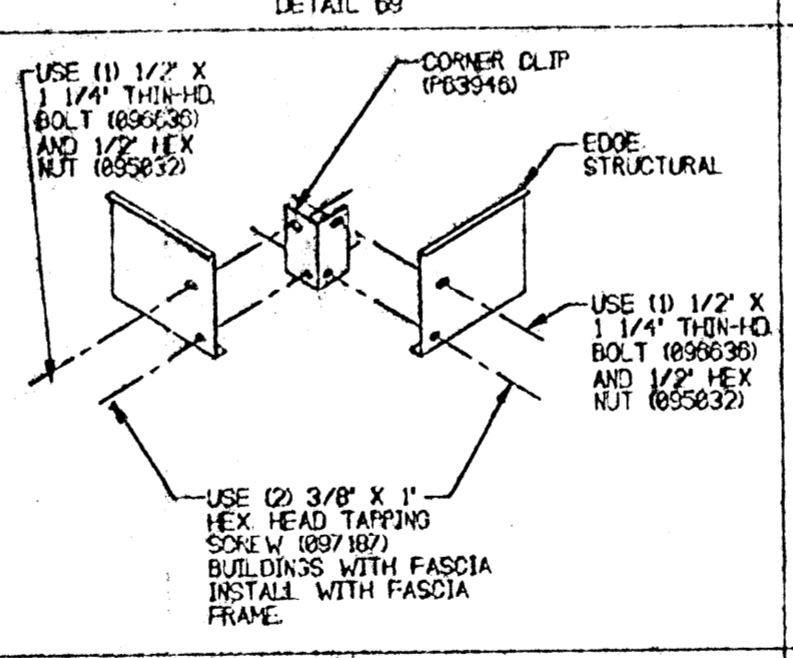
DETAIL 71



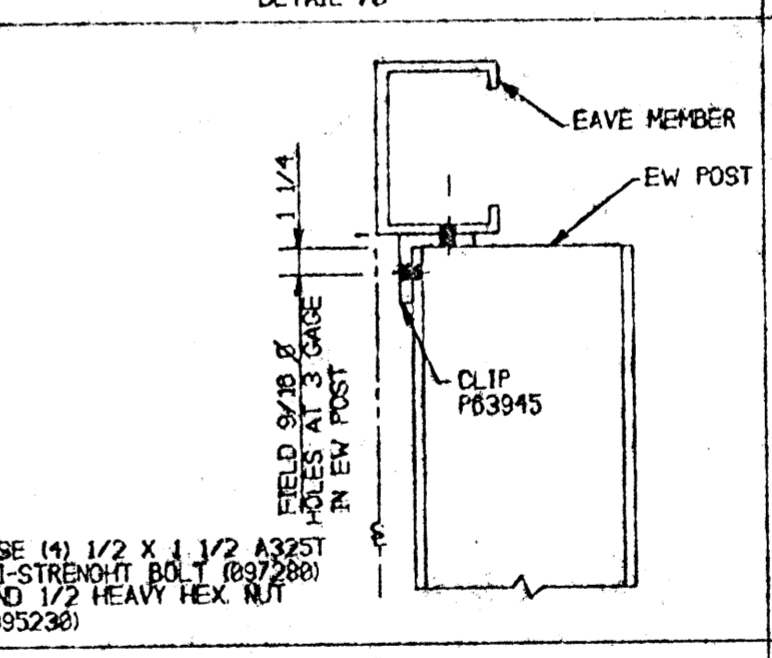
DETAIL 72



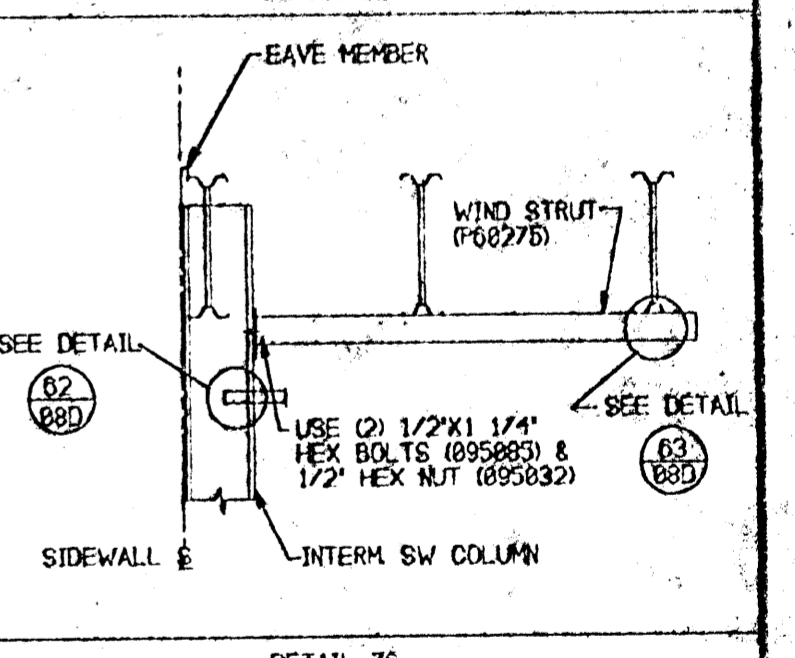
DETAIL 73



DETAIL 74



DETAIL 75



DETAIL 76

REVISION NO. 3	REVISION NO. 2	REVISION NO. 1	<p>BUTLER MANUFACTURING COMPANY GENERAL OFFICES - KANSAS CITY, MISSOURI</p>	BUILDER	PROJECT	BUILDING ORDER DESCRIPTION	DRAWING TITLE	ENGR. APPR.
DATE	DATE	DATE		J.S. MATHERS, INCORPORATED WAYNESSBORO, VA.	ALLEGHANY REGIONAL INVESTMENT WAREHOUSE CLIFTON FORGE, VA.	215' x 700' x 27' LSDT 20# SL/70 MPH/BOCA 90 20# COLLAT	DETAIL SHEET	ENGR. APPR.
DRAWN BY	DRAWN BY	DRAWN BY					GROUP 3	DATE: JULY 16, 1993
CHECKED BY	CHECKED BY	CHECKED BY					D93-045398-08D	REV 01

Handwritten signature and date: 8/17/93